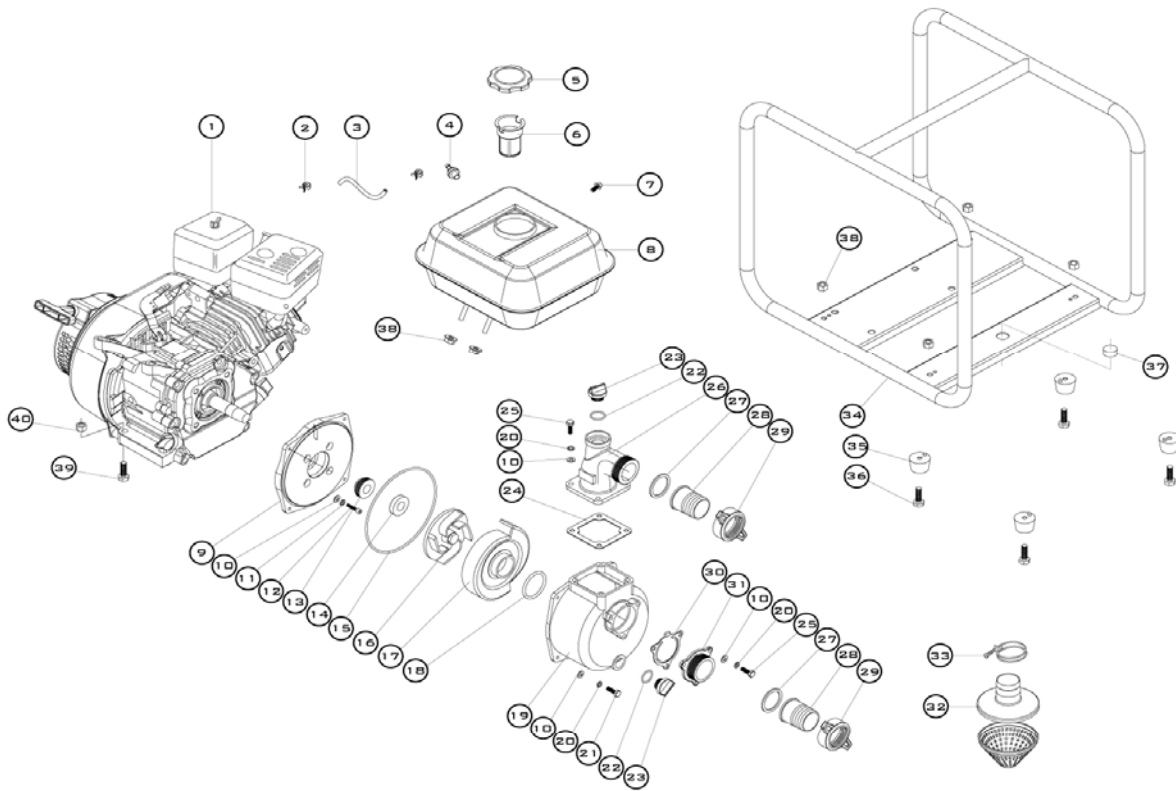


CHAMPION GP50



NO.	CODE	DESCRIPTION	QTY.
1	2EP16011	UP168-1 gasoline engine	1
2	3A2006001	Pipe clamp	2
3	3B0111007	Fuel pipe	1
4	3A2006400	Connector	1
5	3A2006100	Fuel tank cup	1
6	3A2006007	Filter cup	1
7	3S22060251	flange bolt M6X25	1
8	3A2006009	Fuel tank	1
9	3G3050001	Pump cover	1
10	3S35081	washer $\phi 8$	15
11		rubber washer	4
12	3S24080603	Inner hex bolt M8x60	4
13	3G3050002	Mechanical seal	1
14	3G3050006A	porcelain seal	1
15	3G3050003	O ring $\phi 248 \times \phi 3.55$	1
16	3G3050007	water pump impeller	1
17	3G3050008	volute casing	1
18	3G3050009A	rubber bushing	1
19	3G3050010	housing of pump	1
20	3S31082	spring washer $\phi 8$	11
21	3S21080301	bolt M8X30	4
22	3G3040013A	O ring	2
23	3G3050013	plug packing	2
24	3G3050014	rubber washer 124X124	1
25	3S21080251	bolt M8X25	7
26	3G3050015	outlet flange	1
27	3G3050020	rubber washer	2
28	3G3050021	pipe joint	2
29	3G3050022	joint grip	2
30	3G3050011	check valve	1
31	3G3050012	inlet flange	1
32	3G3050024	filter net	1
33	3G3050023	Rear housing	3
34	3JPG5000	frame	1
35	3G20014	shock absorber	4
36	3S28060142	screw M6X14	4
37	3C13008	shock absorber	1
38	3S12061	flange nut M6	6
39	3S22080351	flange bolt M8X35	4
40	3S12081	flange nut M8	4